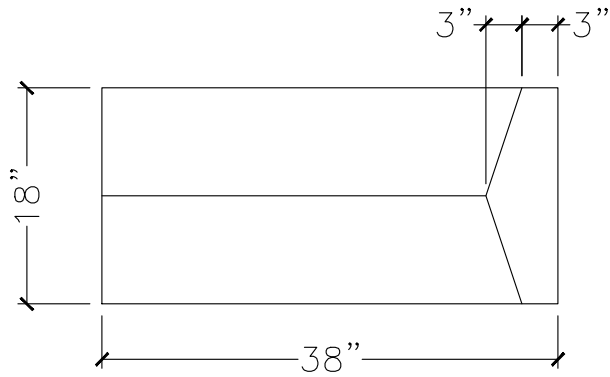
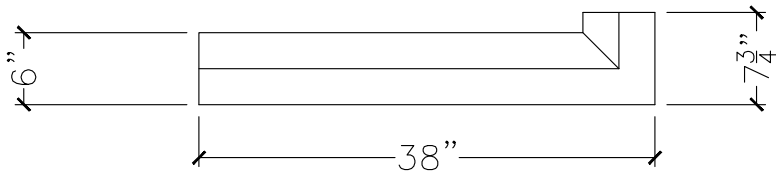


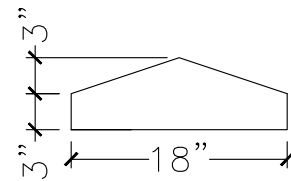
CUSTOMER:	
JOB:	MOLD: WC-184 38" RET.UP 18"W
BAY#: 279-A	STONE COLOR:
DATE:	SCALE: $\frac{3}{4}" = 12"$ NEED:



TOP VIEW



FRONT VIEW



SECTION VIEW