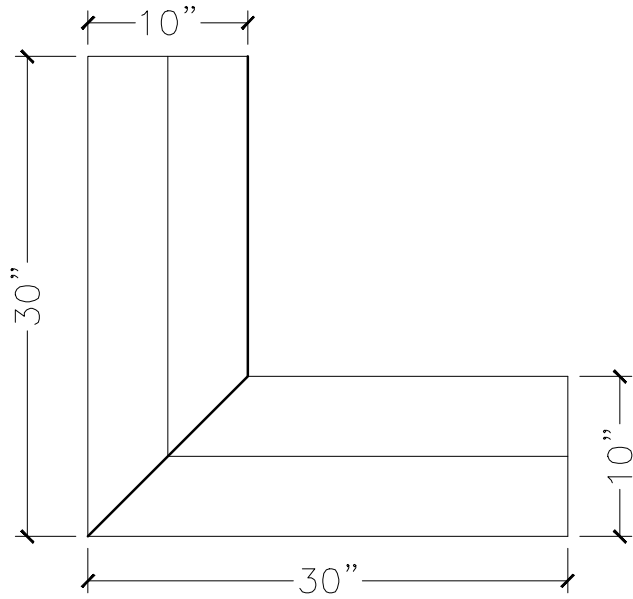
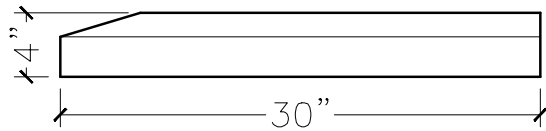


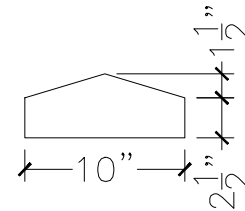
JOB:	MOLD: WC-1 10"W 30"x30" 90°
BAY#: 182	STONE COLOR:
DATE:	SCALE: 1"=12" NEED:



TOP VIEW



FRONT VIEW



SECTION VIEW