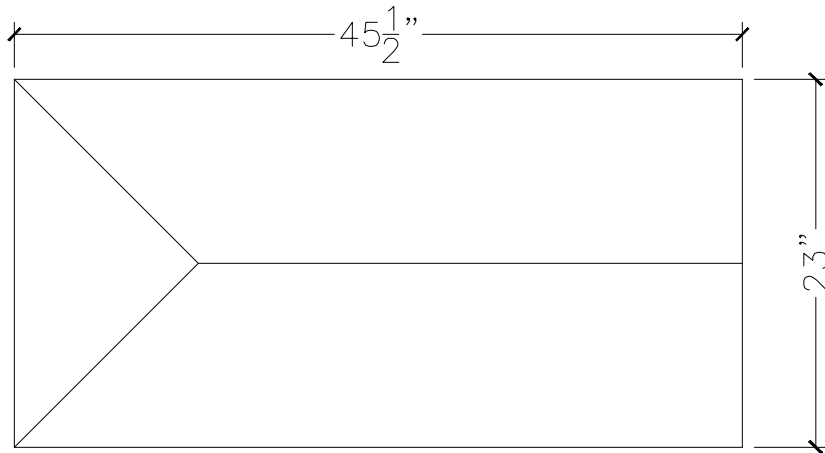
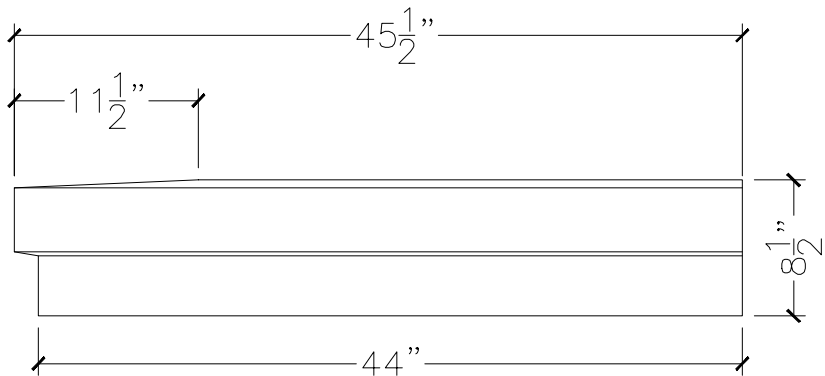


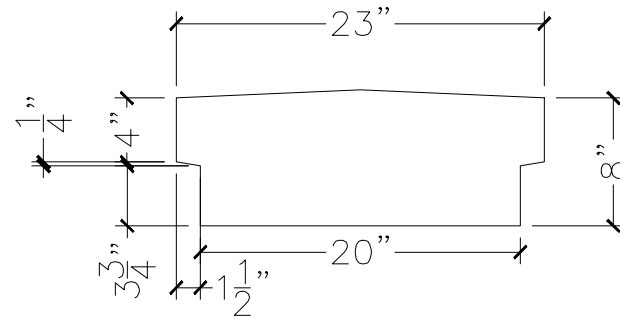
CUSTOMER:	
JOB:	MOLD: WC-200 20" WIDE W/E
BAY#: 71-A	STONE COLOR:
DATE:	SCALE: 1"=12" NEED:



TOP VIEW



FRONT VIEW



SECTION VIEW