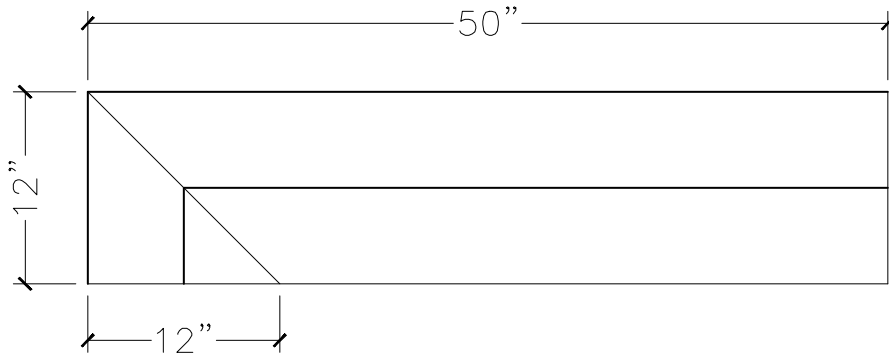
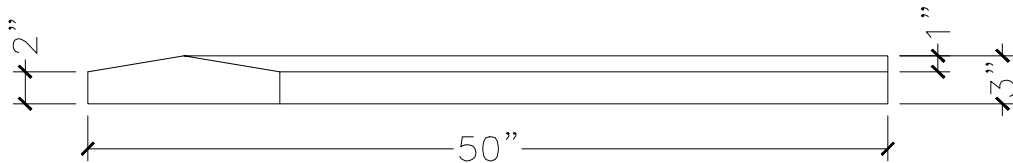


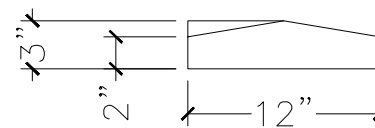
CUSTOMER:	
JOB:	MOLD: WC-201 12"W 50"L.H.
BAY#: 32-A	STONE COLOR:
DATE:	SCALE: 1"=12" NEED:



TOP VIEW



FRONT VIEW



SECTION VIEW