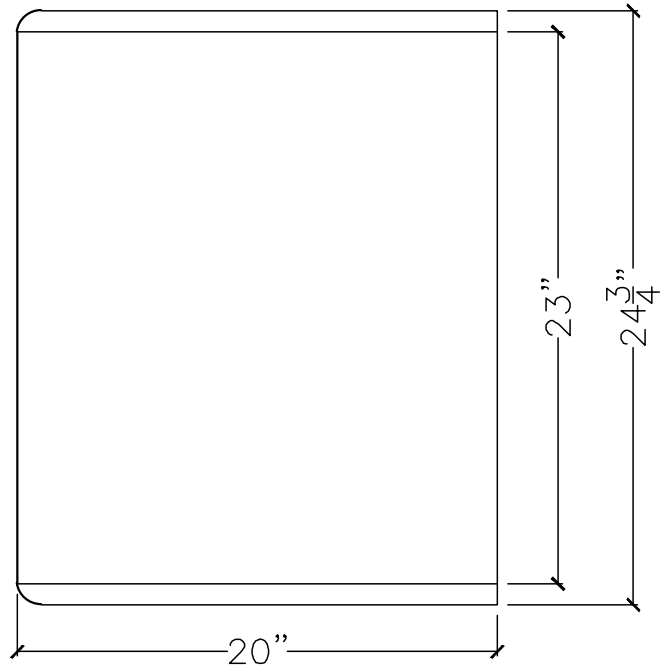
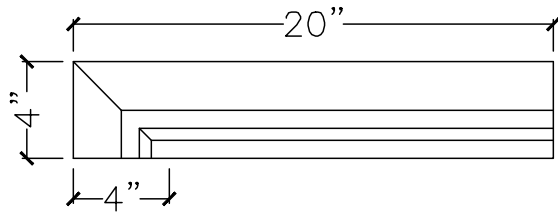


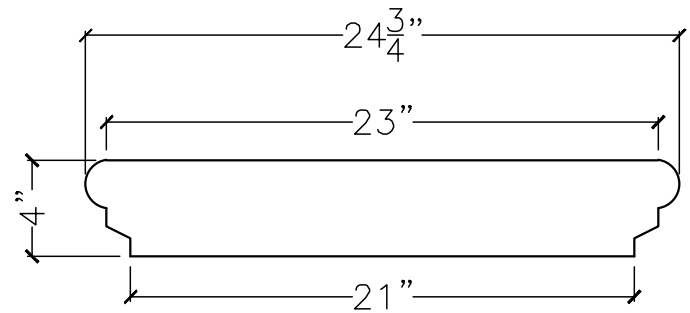
CUSTOMER:	
JOB:	MOLD: WC-221 21"W 20"RET.
BAY#: 41-A	STONE COLOR:
DATE:	SCALE: $1\frac{1}{2}"=12"$ NEED:



TOP VIEW



FRONT VIEW



SECTION VIEW