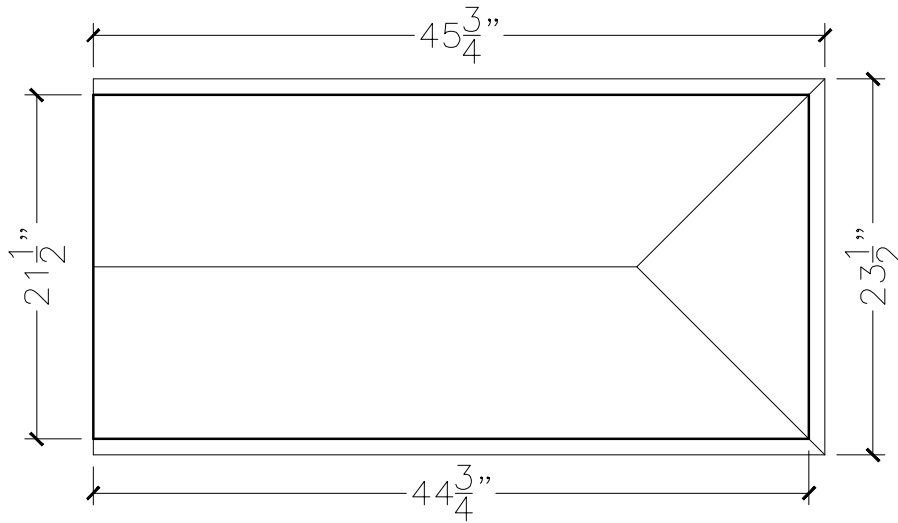


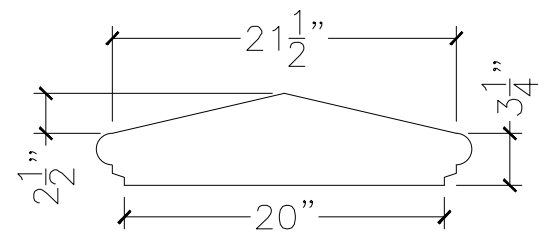
JOB:	MOLD: WC-5 20"W 44"W/END
BAY#: 45	STONE COLOR:
DATE:	SCALE: 1"=12" NEED:



TOP VIEW



FRONT VIEW



SECTION VIEW