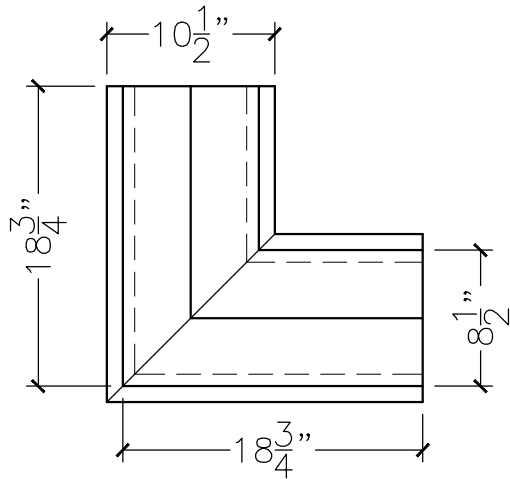
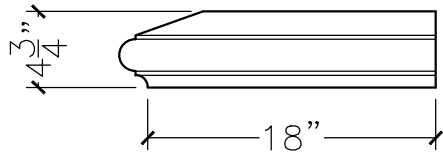


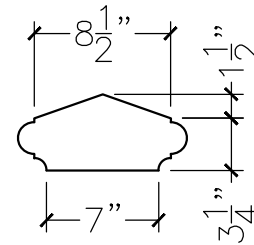
JOB:	MOLD: WC-8 7"WIDE 90°TURN
BAY#: 199-B	STONE COLOR:
DATE:	SCALE: 1"=12" NEED:



TOP VIEW



FRONT VIEW



SECTION VIEW