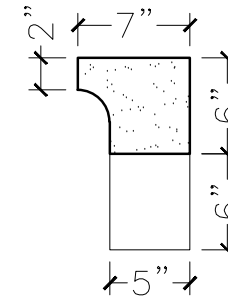
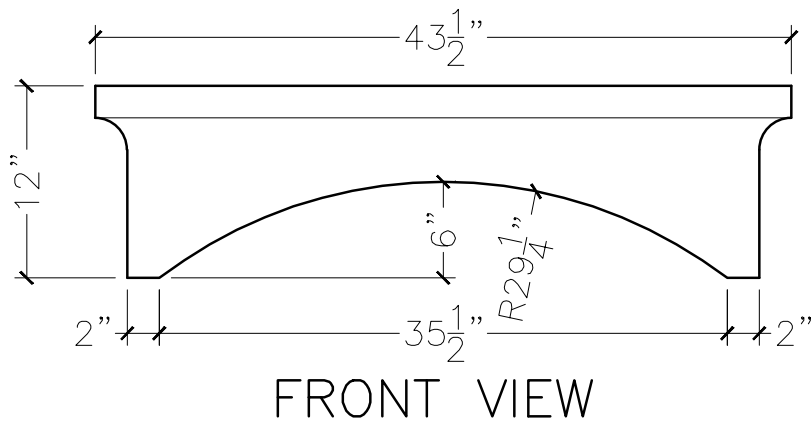
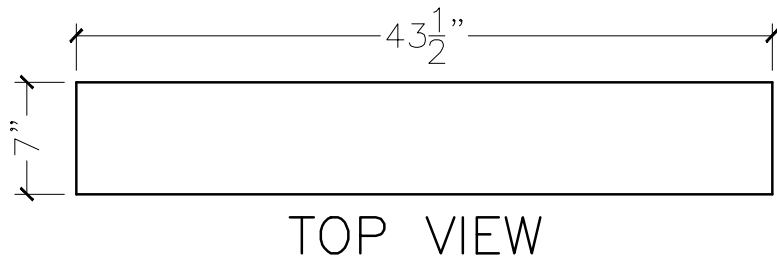


JOB:	MOLD: WL-11 35 $\frac{1}{2}$ "W 29 $\frac{1}{4}$ "R
BAY#: 178	STONE COLOR:
DATE:	SCALE: 1"=12" NEED:



SECTION VIEW