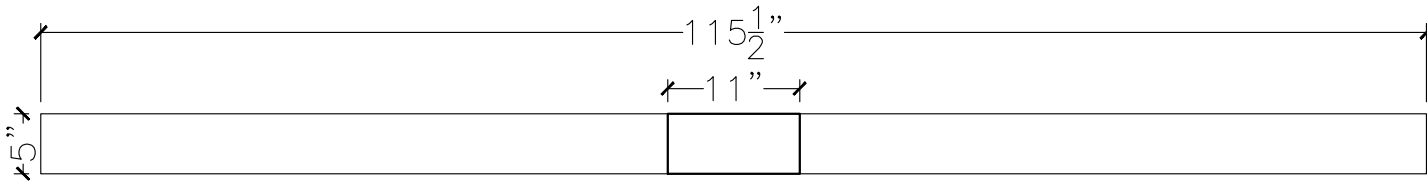
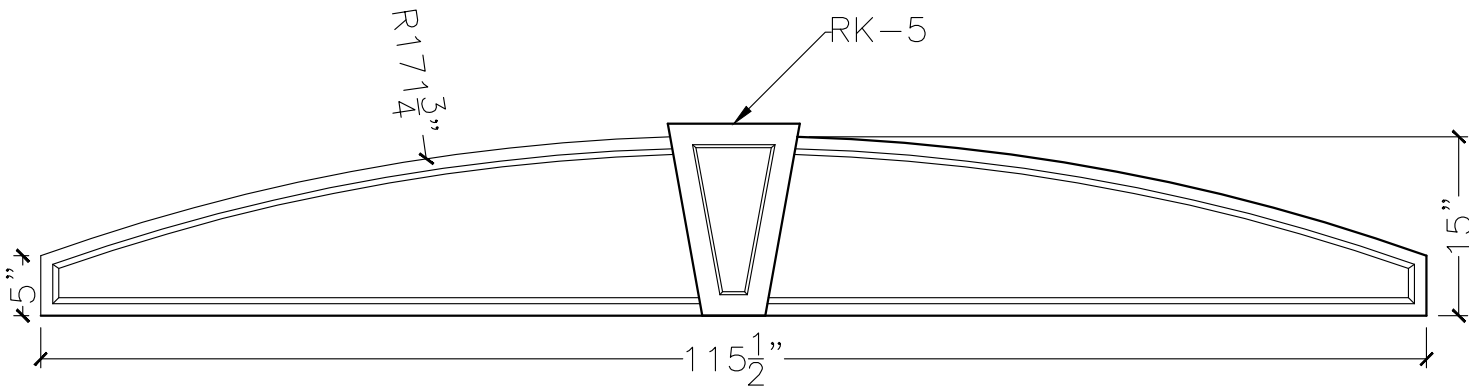


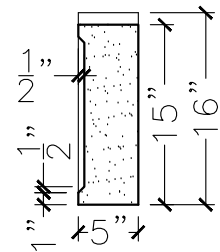
JOB:	MOLD: WL-25
BAY#	STONE COLOR:
DATE:	SCALE: $\frac{3}{4}'' = 12''$ NEED:



TOP VIEW



FRONT VIEW



SECTION VIEW