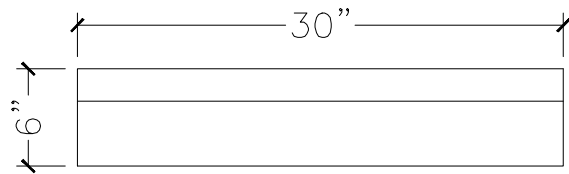
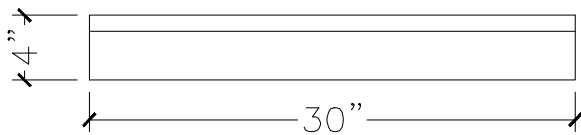
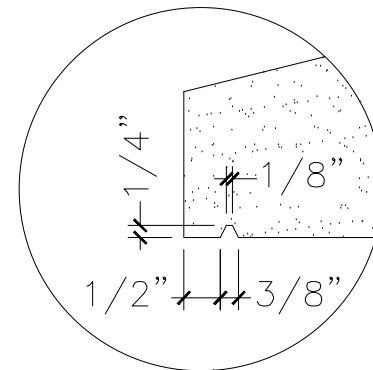


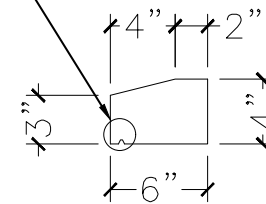
CUSTOMER:	
JOB:	MOLD: WT-120 30"ST
BAY#: 177-A	STONE COLOR:
DATE:	SCALE: 1"=12" NEED:



TOP VIEW



FRONT VIEW



SECTION VIEW