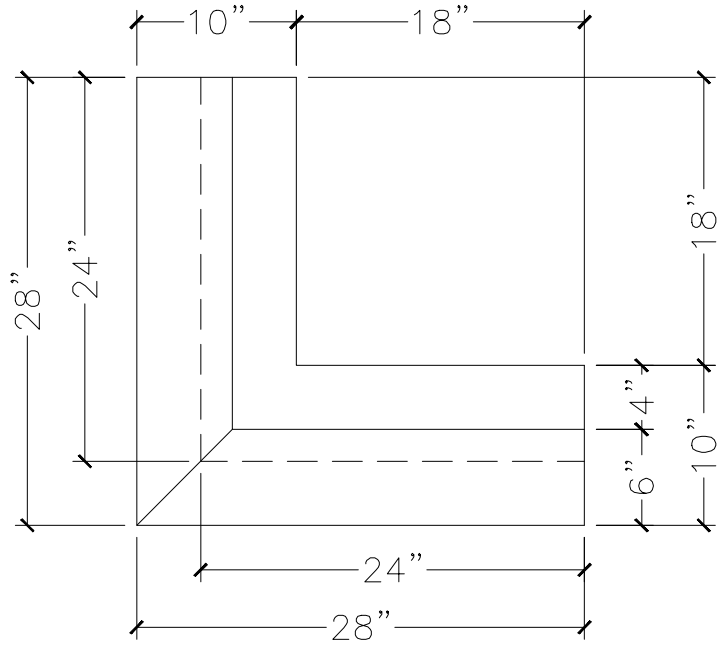
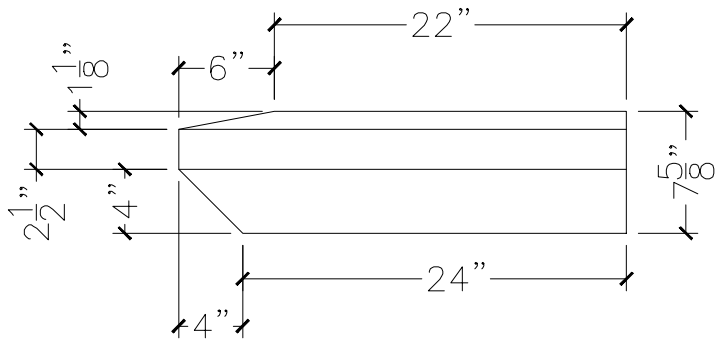


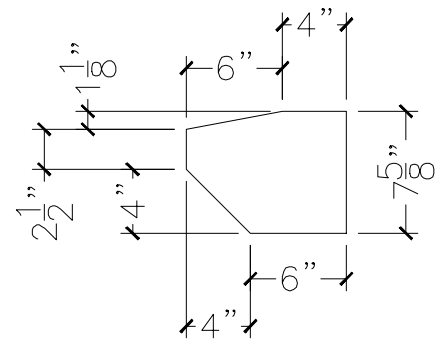
CUSTOMER:	
JOB:	MOLD: WT-160 24"X24" 90°
BAY#: 253-B	STONE COLOR:
DATE:	SCALE: 1"=12" NEED:



TOP VIEW



FRONT VIEW



SECTION VIEW